

# Development of a new timing system for ISIS

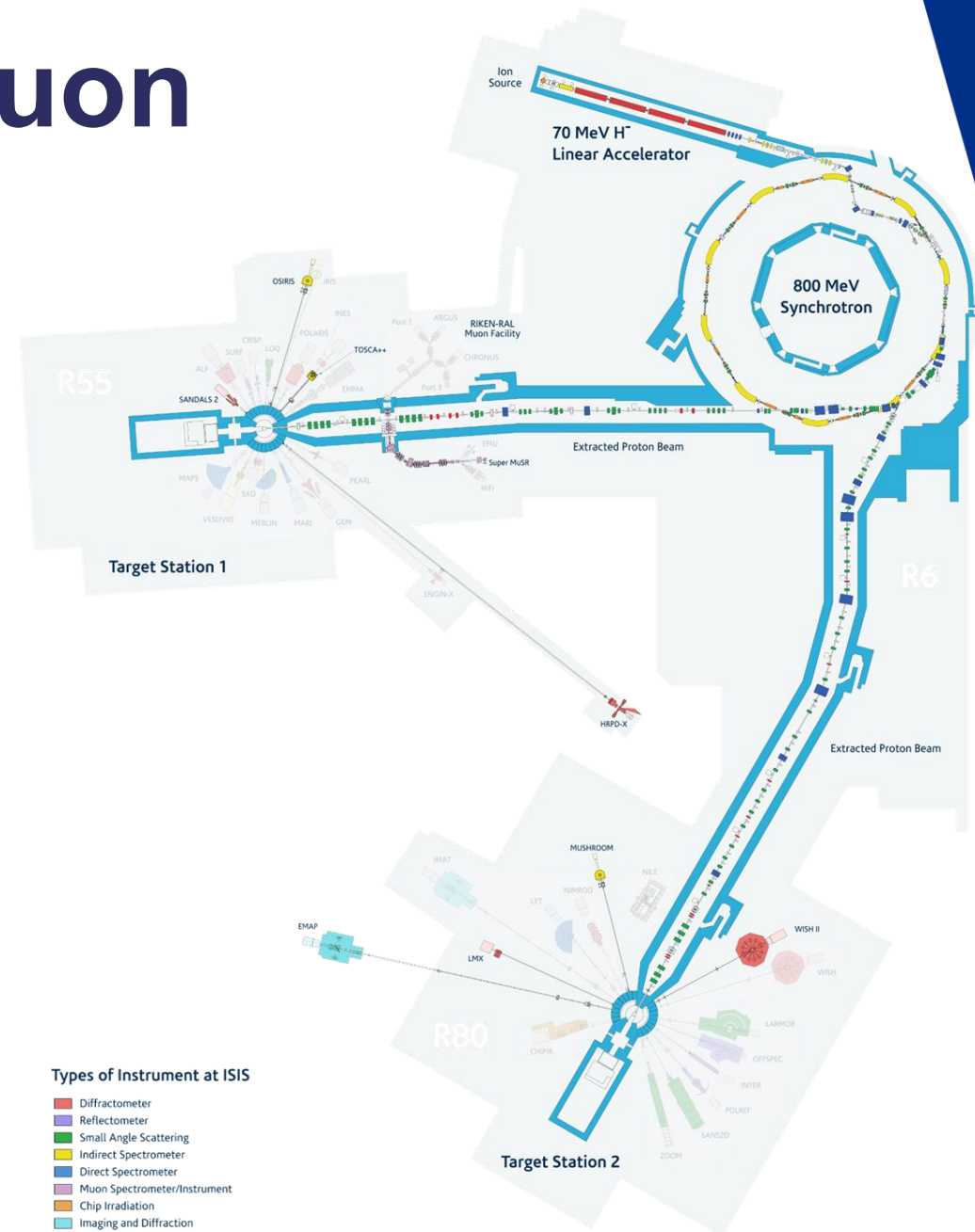
Rob Washington

ISIS Accelerator Controls Group

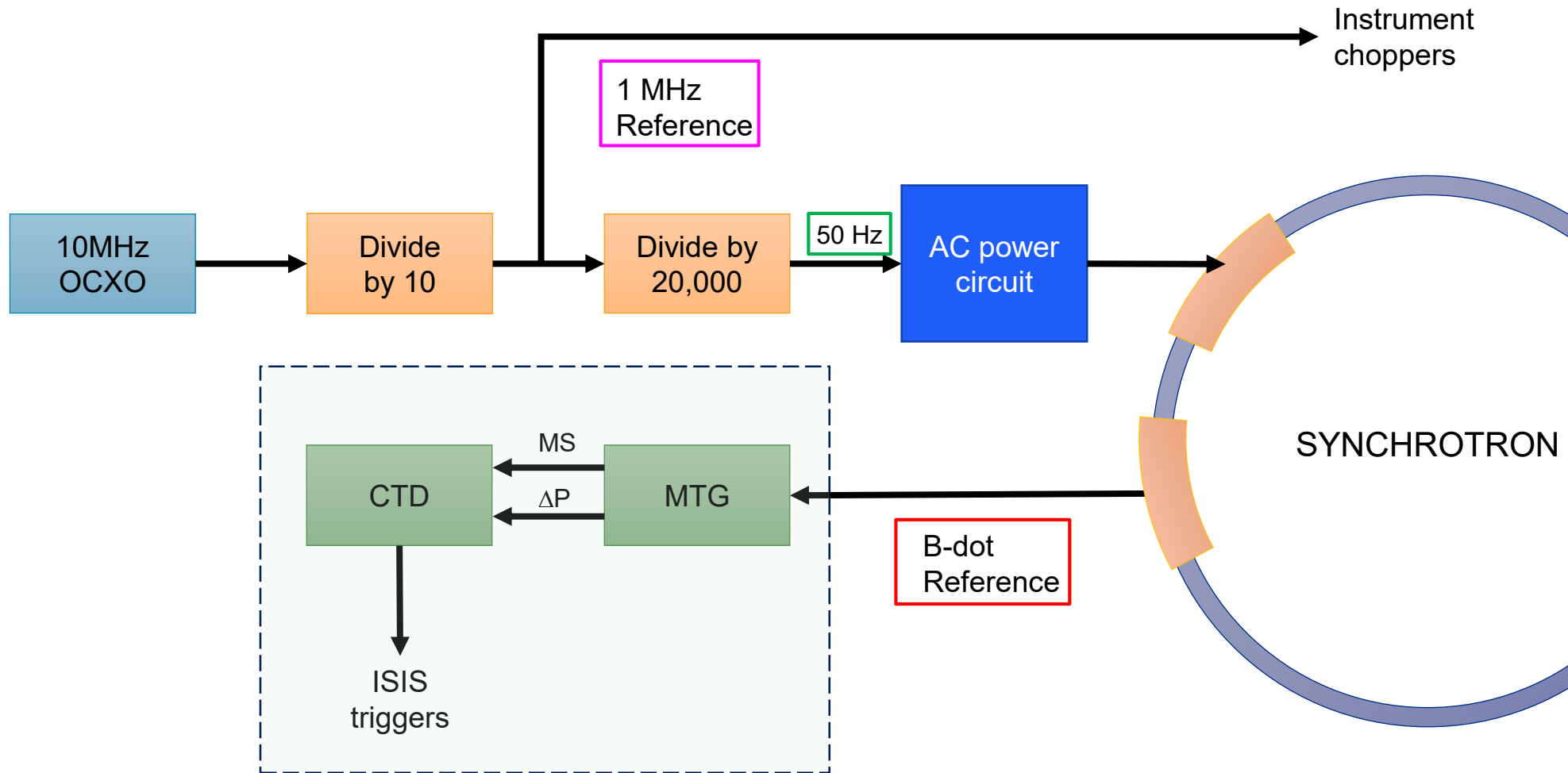
12<sup>th</sup> October 2023

# ISIS Neutron and Muon Source

- Centre for research into physical and life sciences
- First neutrons in 1984, one target operation
- 800 MeV accelerator, 50 Hz operating cycle
- International community of ~3000 scientists, 15,000 publications
- Second Target station (TS2) added in 2008. TS1 upgraded in 2022.



# Overview of ISIS timing



# Include WR trigger

