



Contacts

Katy SAINTIN katy.saintin@cea.fr

Loïc CAOUËN loic.caouen@cea.fr

Paul LOTRUS Tom, JOANNEM, Alexis GAGET

IRFU, CEA, Université Paris-Saclay, F-91919 Gif-sur-Yvette, France



Technical and human context

"2 frameworks of control system coexist at IRFU"



Small compacts experiences :



- In-house solution
- Embedded SCADA
- Only 2 developers



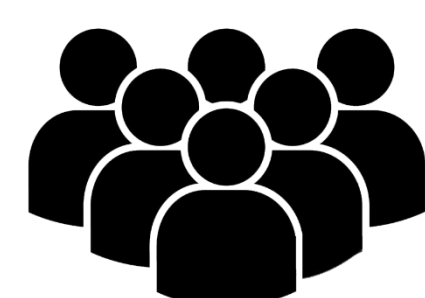
Mains features :

- Windows OS
- SIEMENS PLC protocol
- Optimized archiving system
- Alarms manager

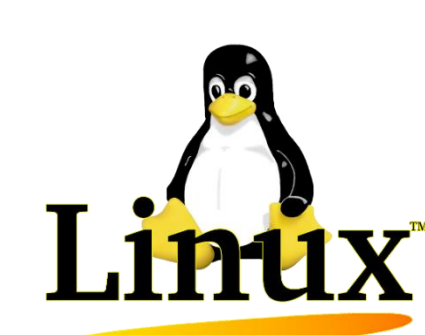


- MUSCADE server only in Java
- GUI based on Java AWT and AutoCAD
- Secured and remote access (Java Web Start)
- Replay mode

Large accelerators :



- International projects (ESS, BNL, SARAF ...)
- Complete frameworks
- Large community of developers

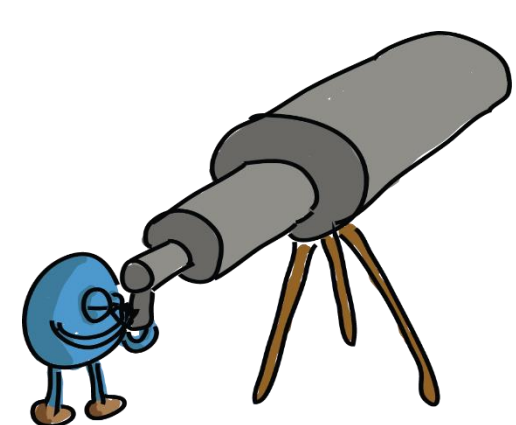


Mains features :

- Linux and Windows OS
- Several drivers and protocols including SIEMENS
- Archiving Appliance
- Alarms manager (Based on Kafka)
- EPICS server in C, C++, Python, Java, LabVIEW's.



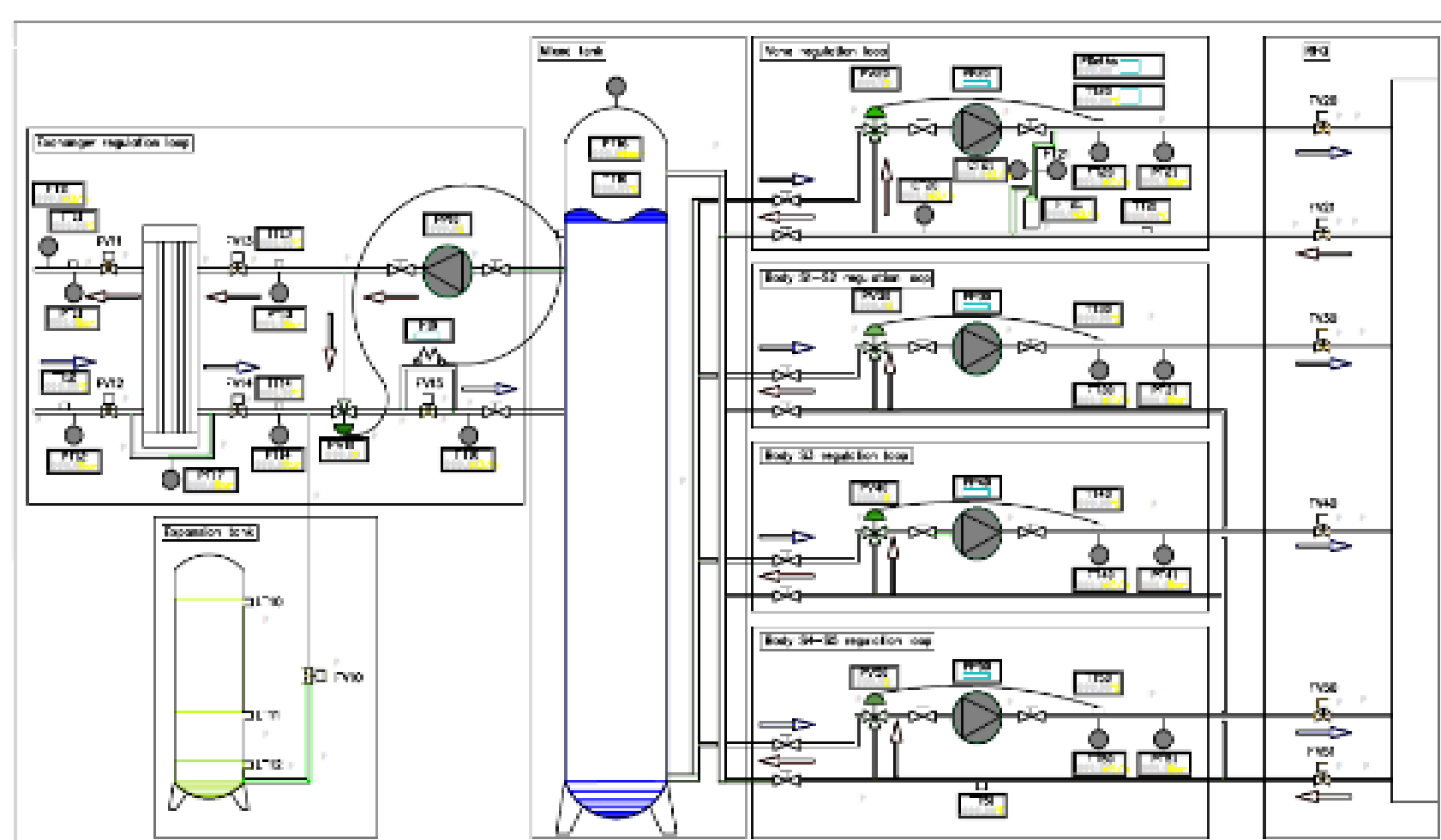
- GUI based on Java SWT, Java FX, python, QT
- GUI development with CS-STUDIO (Java FX)
- Web client



Focus on 2 developments

"AutoCAD CS-STUDIO convertor"

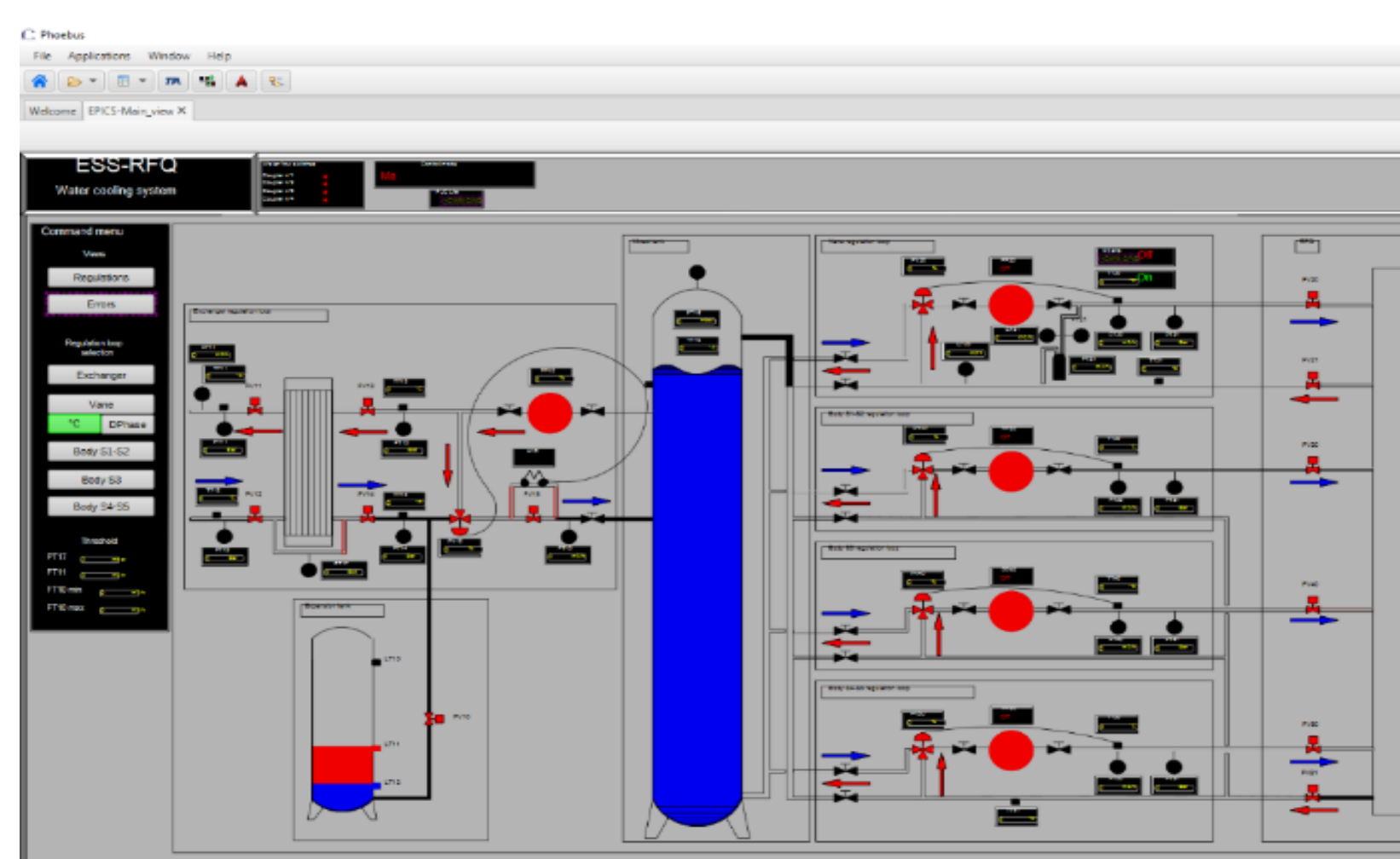
A AUTOCAD



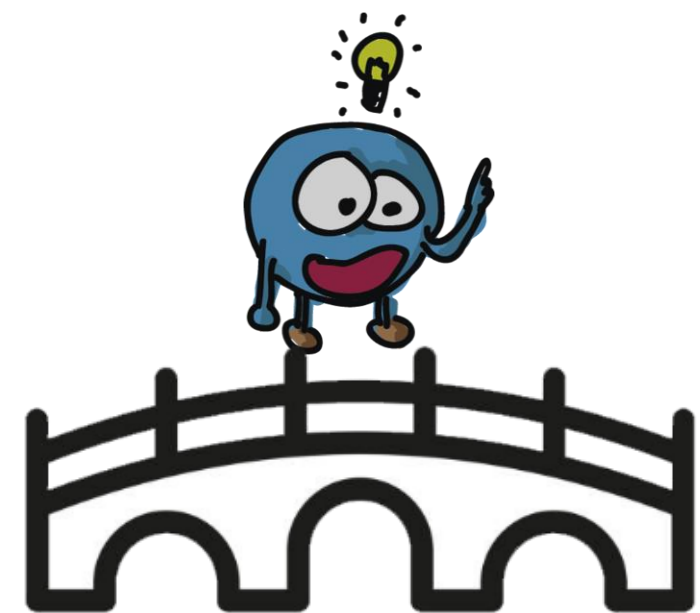
DXF2BOB convertor



EPICS CS|studio



"MUSCADE TO EPICS Gateway"



EPICS4MUSCADE



EPICS CS|studio

